



Smart Implant Solutions



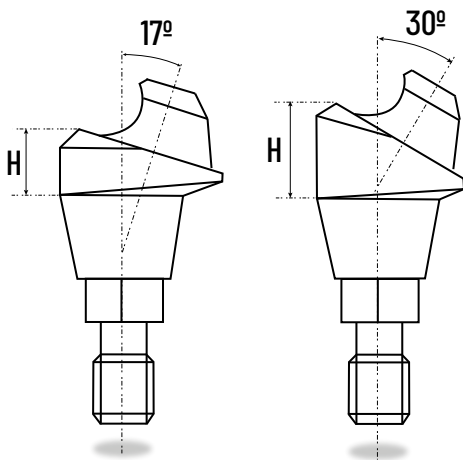
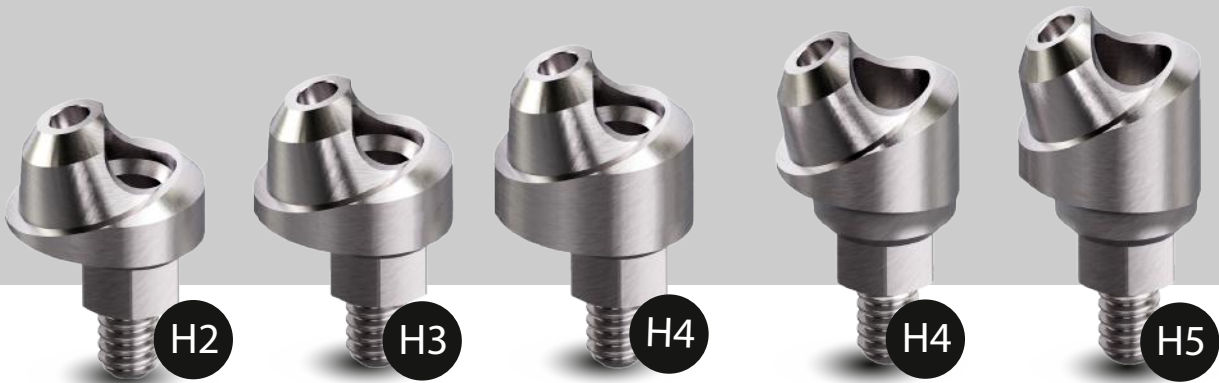
**MULTI-UNIT
ANGLED ABUTMENT
PILAR MULTI-UNIT
ANGULADO**

MULTI-UNIT ANGLED ABUTMENT

PILAR MULTI-UNIT ANGULADO

They raise the height level and transform connections to meet the needs

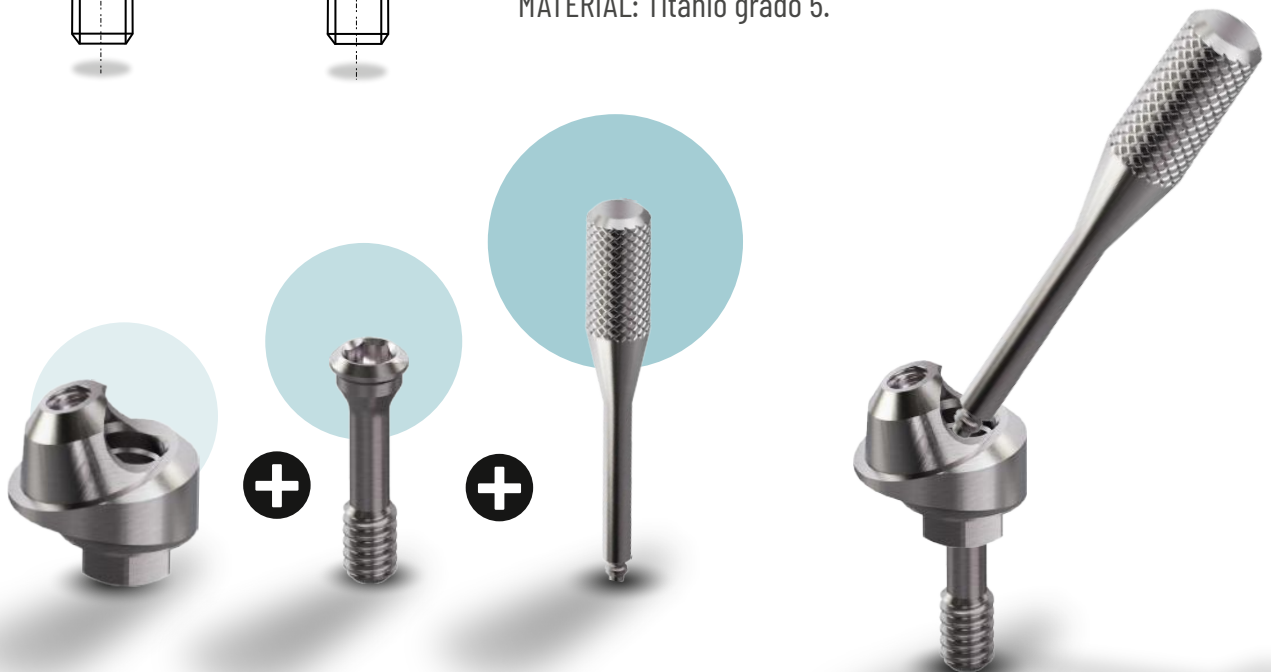
Elevan el nivel de altura y transforman las conexiones con el fin de atender las necesidades de casos clínicos especiales

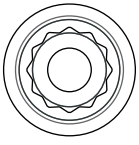


Available in multiple connections and heights.
Disponibles en múltiples conexiones y alturas.

All SIS transepithelial abutments have unigrip connection.
Todos los pilares transepitheliales de SIS tienen conexión unigrip.

MATERIAL: Grade 5 Titanium.
MATERIAL: Titanio grado 5.

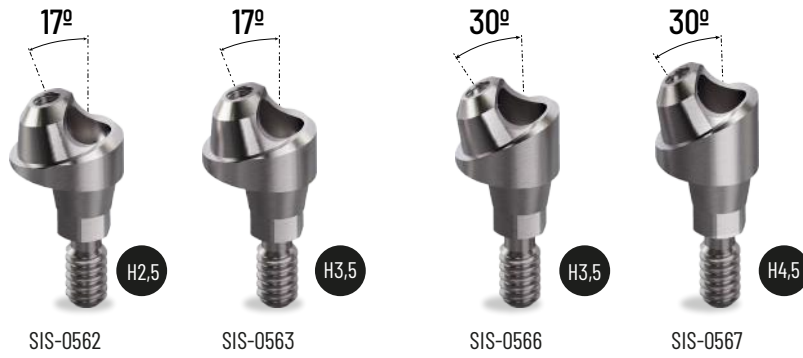




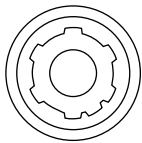
ASTRA® TECH OSSEOSPEED®

Internal Conical/Cónica Interna

3,5/4,0



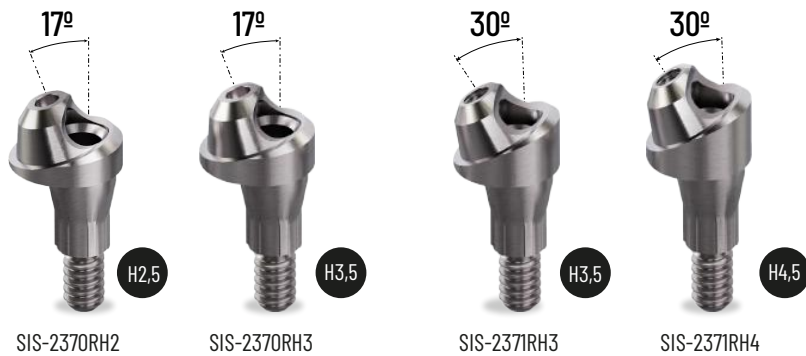
4,5/5,0



ASTRA® TECH SYSTEM™ EVOLUTION

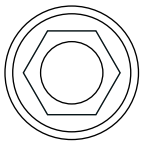
Internal Conical/Cónica Interna

3,6



4,2

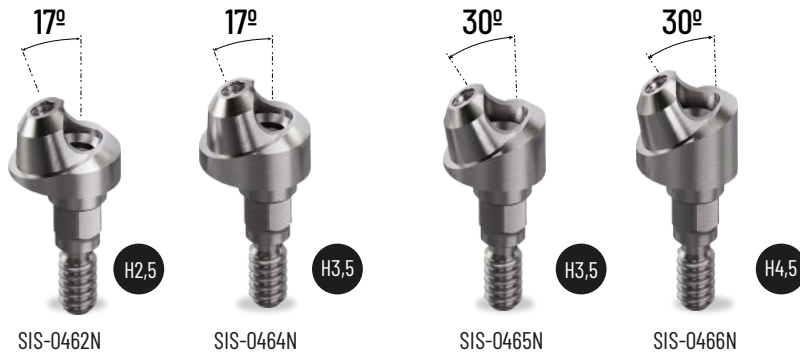




BIOMET 3i® CERTAIN®

Internal Hexagon "Click"/Hexágono Interno "Click"

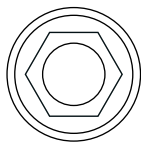
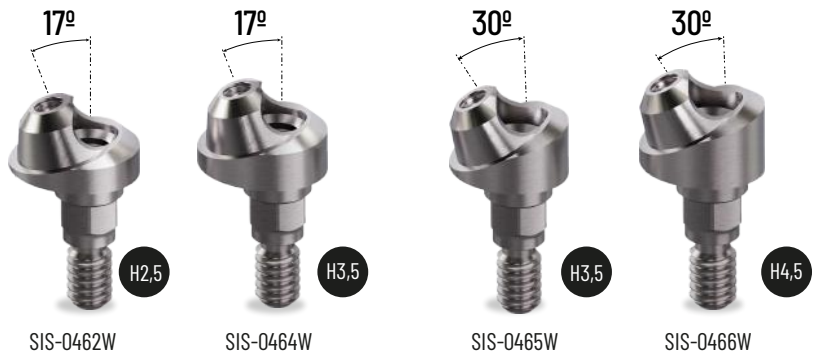
NP 3,4



RP 4,1



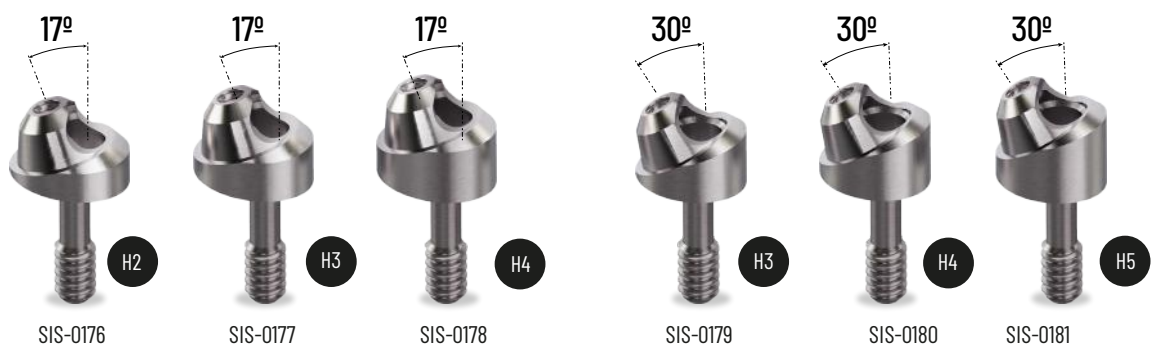
WP 5,0

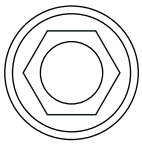


BIOMET 3i® OSSEOTITE

External Hexagon/Hexágono Externo

RP 4,1

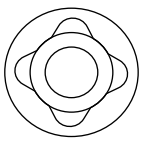




BTI®

External Hexagon/Hexágono Externo

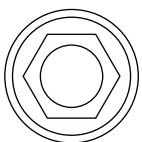
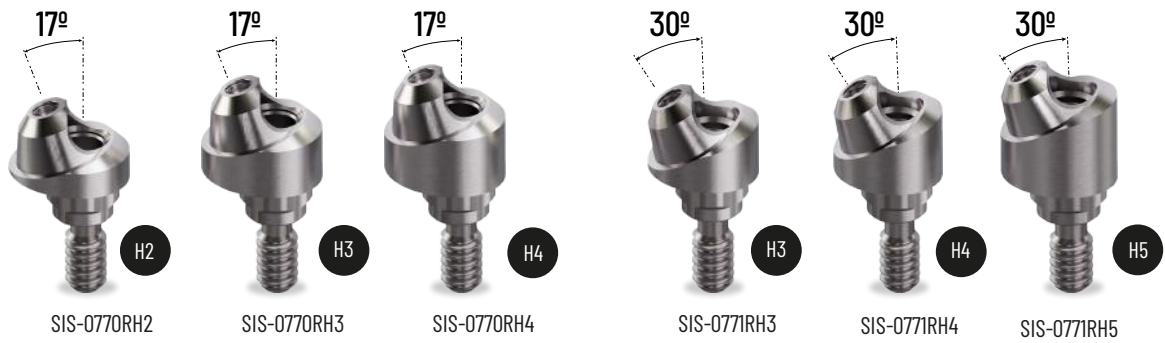
RP 4,1



BTI® Internal

Internal Tetra-lobe/Tetralobular Interno

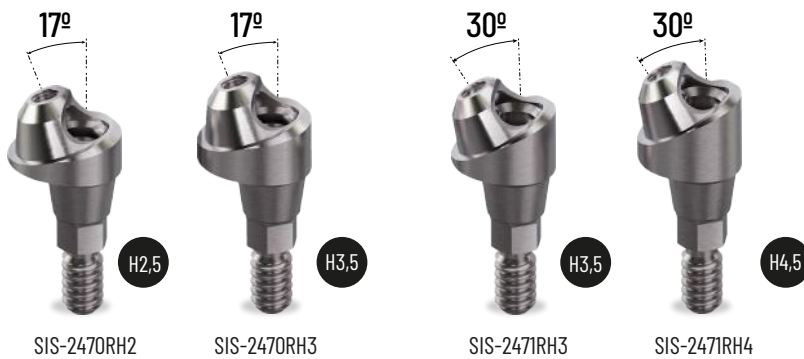
RP 4,1

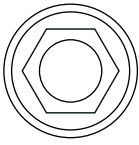


NEODENT GM® (Helix GM®, Drive GM®, Titamax GM®)

Internal Conical/Cónica Interna

STD

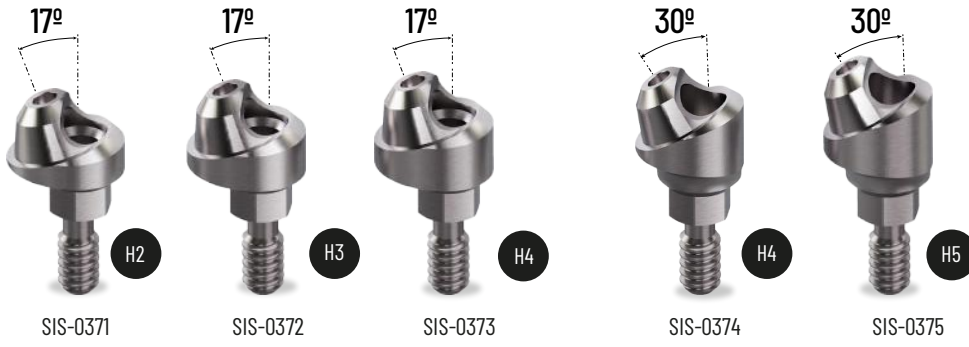




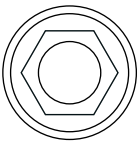
MIS[®] SEVEN[®]

Internal Hexagon/Hexágono Interno

RP
3,75/ 4,20



WP
5,0/6,0

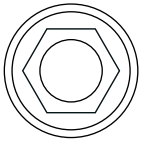


PHIBO[®] TSH[®]

External Hexagon/Hexágono Externo

RP 4,0

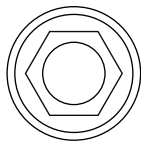
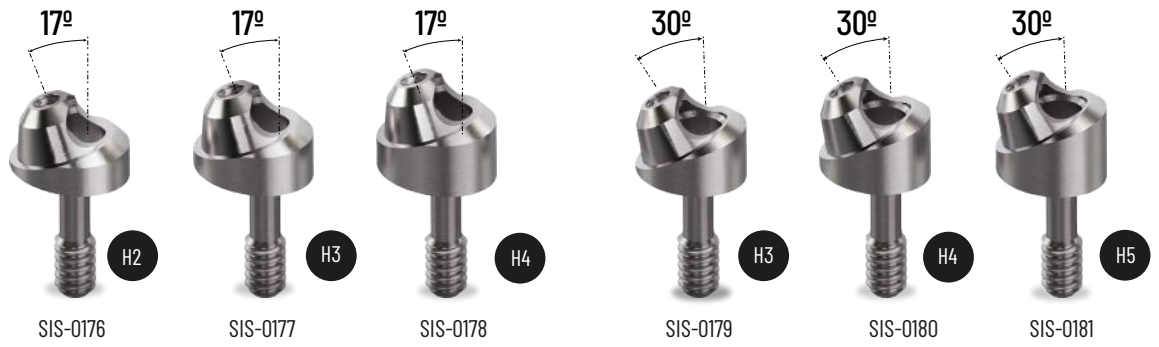




NOBEL BIO CARE® BRANEMARK®

External Hexagon/Hexágono Externo

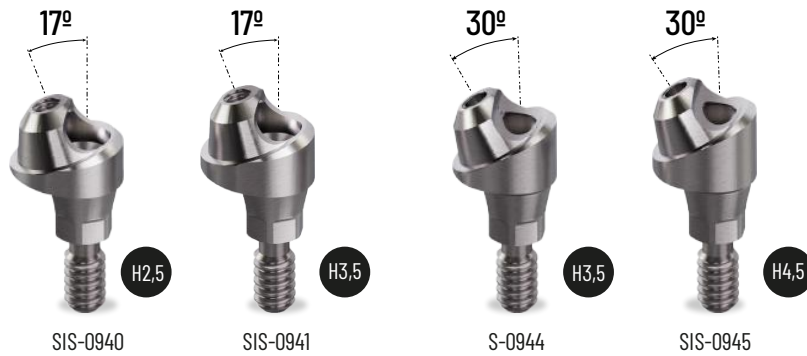
RP 4,1



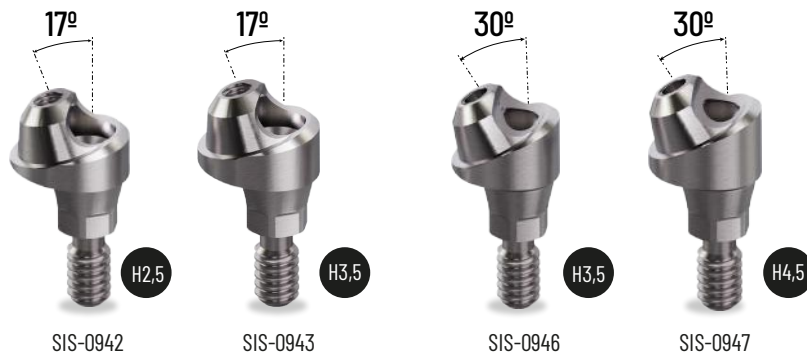
NOBEL BIO CARE® NOBELACTIVE®

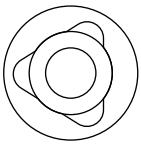
Internal Active/Interna Activa

NP 3,5



RP 4,3

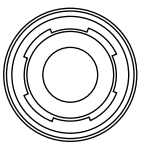
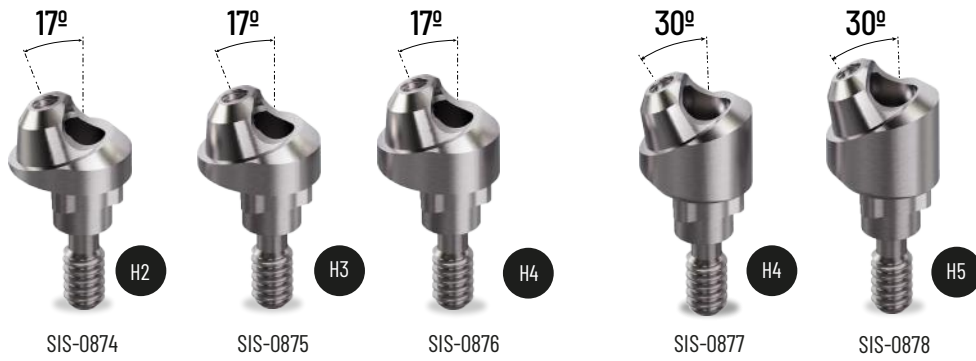




NOBEL BIOCARE® REPLACE SELECT®

Tri-lobe/Trilobular

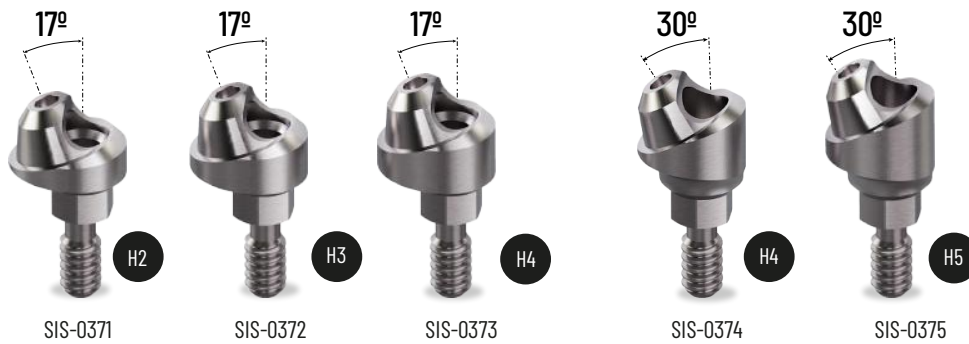
RP 4,1



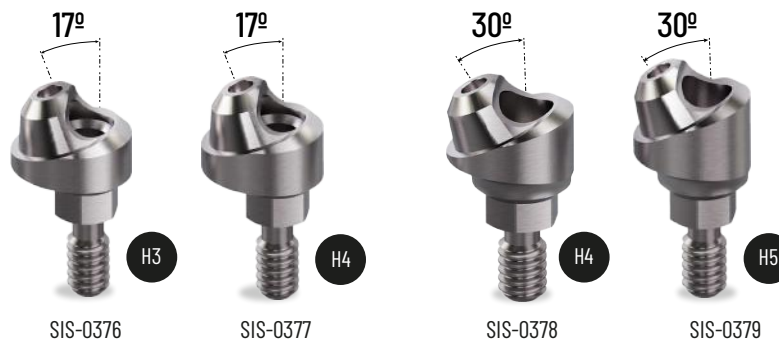
ZIMMER® SCREW-VENT®

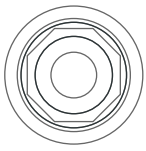
Internal Hexagon/Hexágono Interno

NP 3,5



RP 4,5

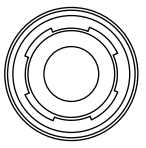




STRAUMANN® TISSUE LEVEL®

Octogonal/Octógono

RN 4,8



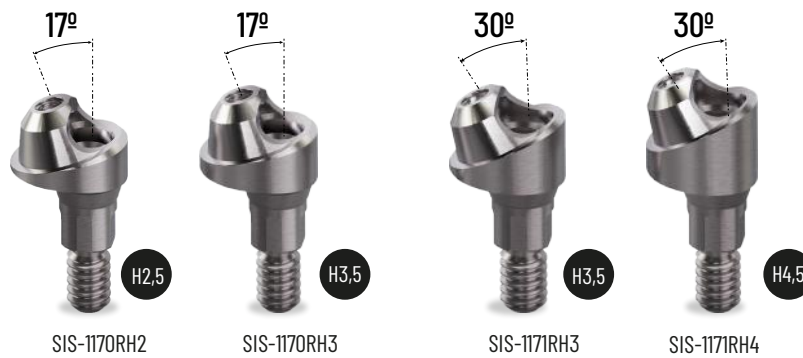
STRAUMANN® BONE LEVEL®

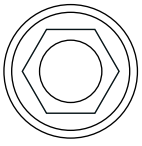
Internal/Interna

NC 3,3



RC 4,1

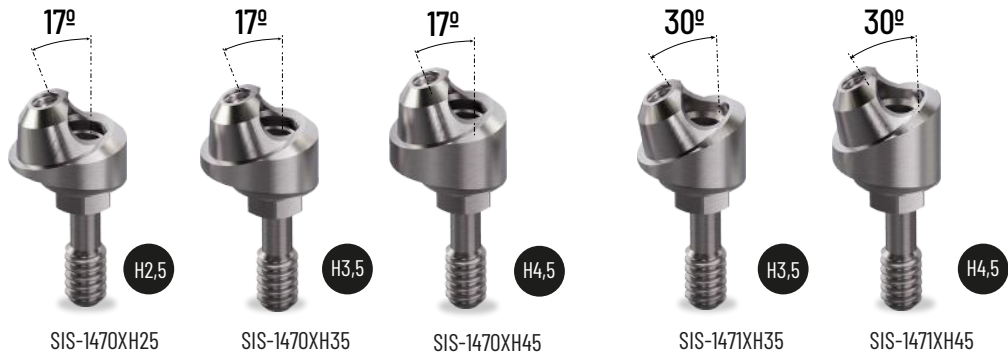




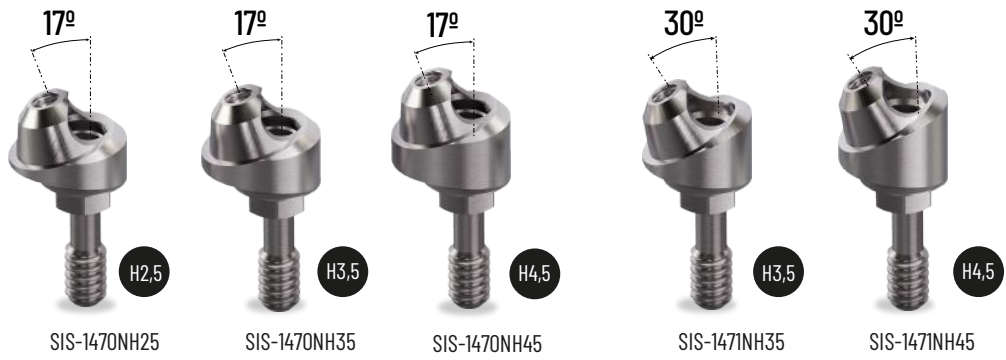
SWEDEN & MARTINA® PREMIUM KOHNO®

Internal/Interna

3,3



3,8



4,25





www.smartimplantsolutions.com