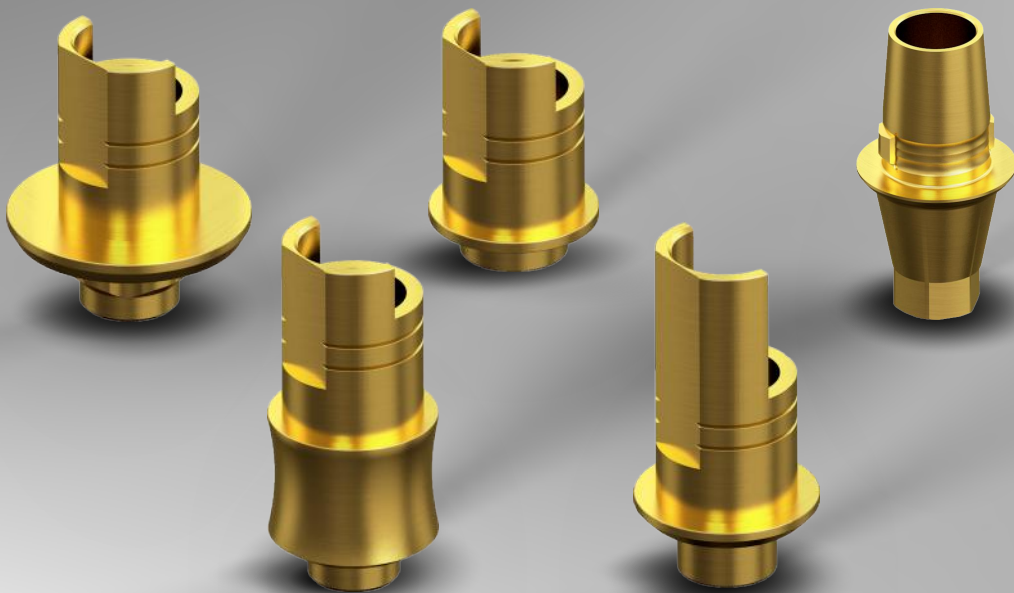




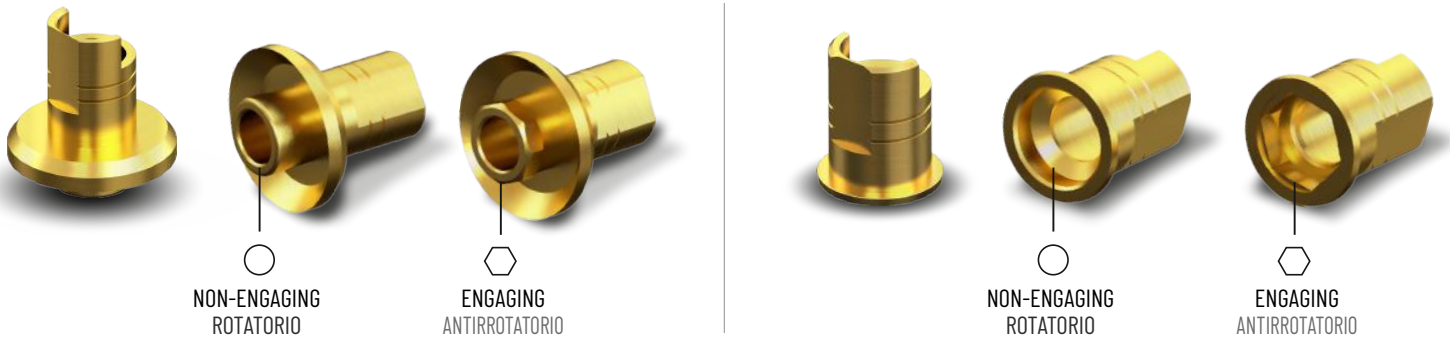
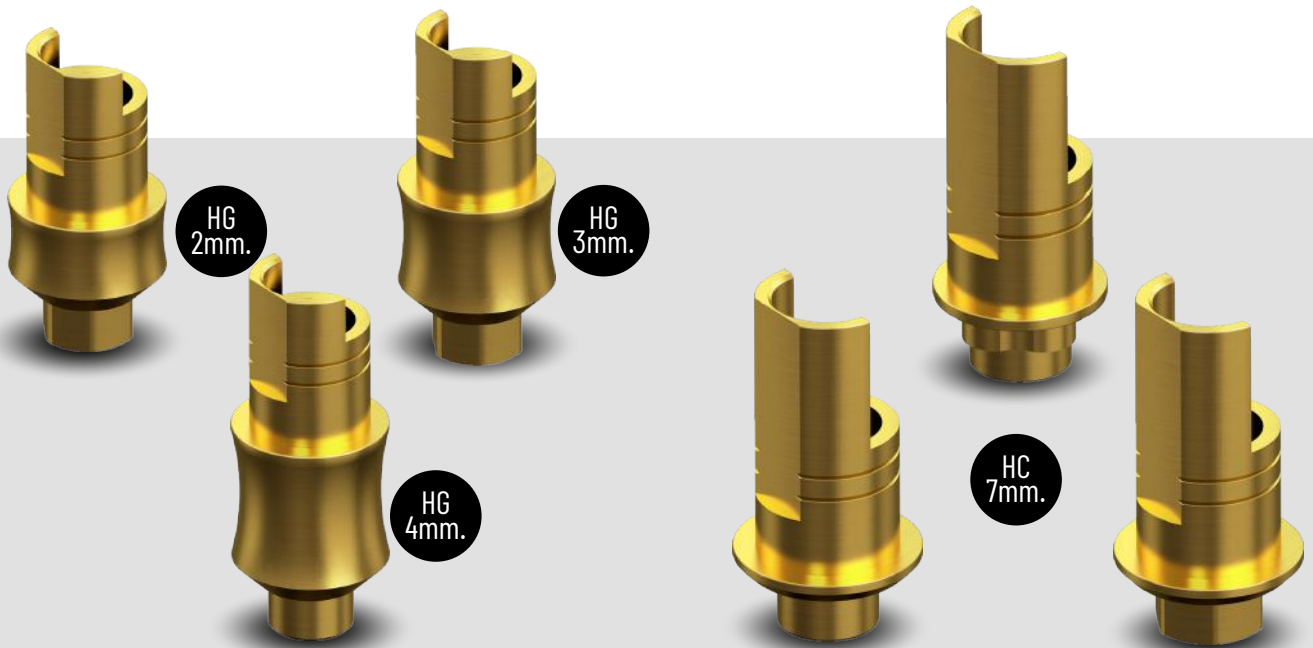
Smart Implant Solutions



**Ti- BASES**

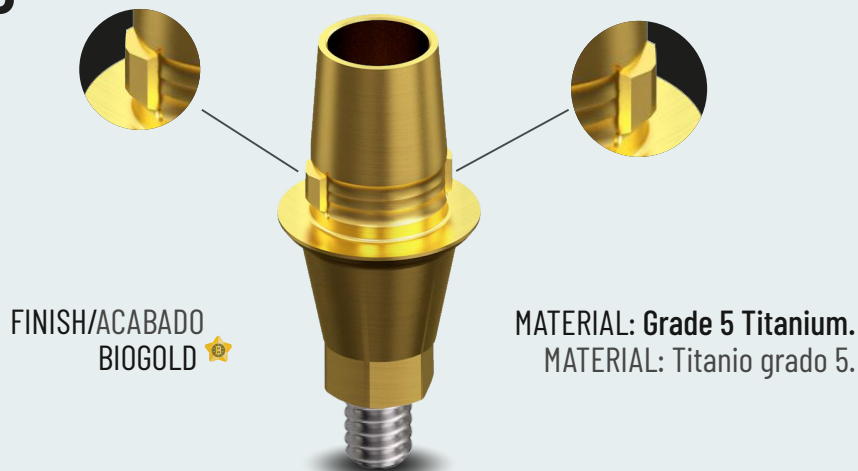
# Ti-BASES

Available in different gingival (HG) & cementation (HC) height.  
 Disponibles con diferente altura gingival (HG) y de cementación (HC).



## Ti-BASES

compatibility with  
**CEREC**



FINISH/ACABADO  
 BIOGOLD 

MATERIAL: Grade 5 Titanium.  
 MATERIAL: Titanio grado 5.

# Ti-BASES

**1. FLAT FACE**  
Perfect orientation of the geometry with the implant connection.

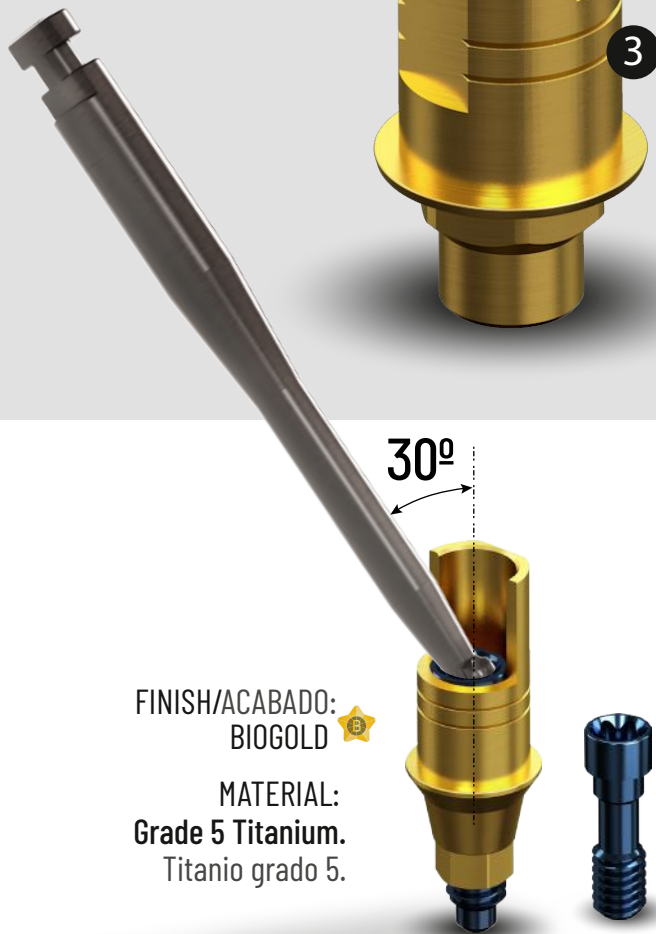
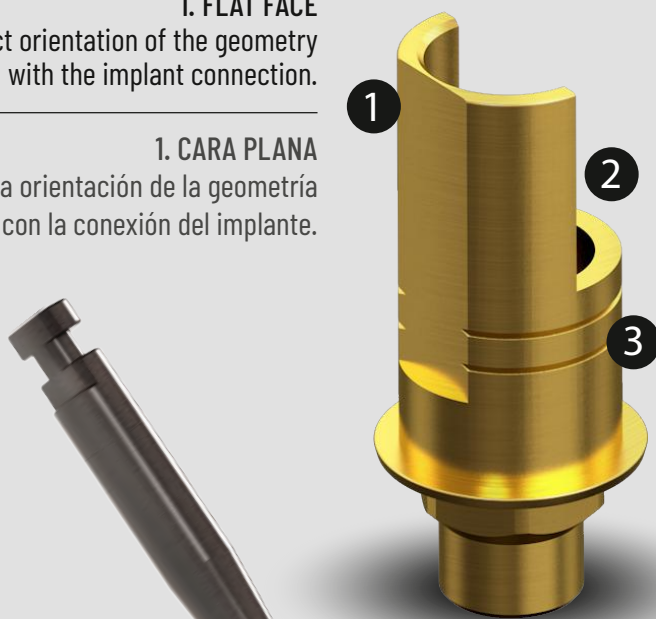
**1. CARA PLANA**  
Perfecta orientación de la geometría con la conexión del implante.

**2. LATERAL CUT:**  
Lateral cut allow screwing when the implant isn't straight.

**2. CORTE LATERAL**  
Permite atornillar cuando el implante no está recto.

**3. MECHANICAL RETENTIONS**  
Allow the cementation to be perfect and durable.

**3. RETENCIONES MECÁNICAS**  
Permite que la cementación sea perfecta y duradera.




FINISH/ACABADO: **BIOGOLD** 


MATERIAL:  
**Grade 5 Titanium.**  
Titanio grado 5.

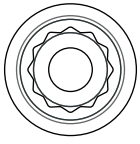
Ready to work with  
Smart Angle solution.

Preparadas para trabajar con  
la solución Smart Angle.

**exocad** **3shape**  **dental wings** 

 **BIOGOLD**, Biocompatible Surface Coating (Titanium Nitride Coating).  
Offers a number of advantages, such as its high resistance to corrosion during sterilization and an aesthetic golden yellow color, better resistance to fatigue, prevents the ion leaching and reduces bacterial activity preventing the stick of organic waste.

 **BIOGOLD**, Superficie Biocompatible (Recubrimiento de Nitruro de Titanio).  
Ofrece una serie de ventajas como su alta resistencia a la corrosión durante la esterilización y un estético color amarillo dorado, mayor resistencia a la fatiga, evita la liberación de iones (ion leaching) y reduce la actividad bacteriana evitando que se adhieran restos orgánicos



# ASTRA® TECH OSSEOSPEED®

Internal Conical/Cónica Interna

3,0



○ SIS-0512XR



⬡ SIS-0512XA

3,5/4,0



○ SIS-0509



SIS-0509HC7



SIS-0509HG2



SIS-0509HG3



⬡ SIS-0510



SIS-0510HC7



SIS-0510HG2



SIS-0510HG3

4,5/5,0



○ SIS-0527



SIS-0527HC7



⬡ SIS-0528



SIS-0528HC7

compatibility with  
**CEREC**

Aqua



⬡ SIS-0512RAC



SIS-0540C

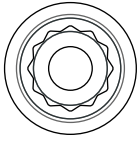
Lilac



⬡ SIS-0512WAC



SIS-0541C



# ASTRA<sup>®</sup> TECH SYSTEM<sup>™</sup> EVOLUTION

Internal Conical/Cónica Interna

3,6



○ SIS-2312RR



⬡ SIS-2312RA

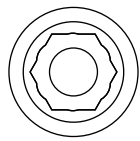
4,2



○ SIS-2312WR



⬡ SIS-2312WA



# OSSTEM<sup>®</sup> TS/ HIOSSEN<sup>®</sup> ET

Internal Conical/Cónica Interna

MINI



○ SIS-2812NR



⬡ SIS-2812NA

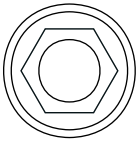
STD



○ SIS-2812RR



⬡ SIS-2812RA



**BIOHORIZONS®**

Internal Hexagon/Hexágono Interno

3,0



○ SIS-1612NR



⬡ SIS-1612NA

3,5



○ SIS-1612RR



⬡ SIS-1612RA

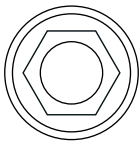
4,5



○ SIS-1612WR



⬡ SIS-1612WA



**MEGAGEN ANYRIDGE®**

Internal Conical/Cónica Interna

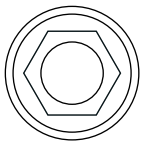
STD



○ SIS-2512RR



⬡ SIS-2512RA



# BIOMET 3i® CERTAIN®

Internal Hexagon "Click"/Hexágono Interno "Click"

NP 3,4



○ SIS-0431



SIS-0431HC7



SIS-0431HG2



SIS-0431HG3



⬡ SIS-0432



SIS-0432HC7



SIS-0432HG2



SIS-0432HG3

RP 4,1



○ SIS-0412



SIS-0412HC7



SIS-0412HG2



SIS-0412HG3



⬡ SIS-0413



SIS-0413HC7



SIS-0413HG2



SIS-0413HG3

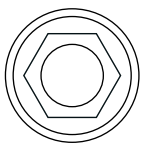
WP 5,0



○ SIS-0447



⬡ SIS-0448



# KLOCKNER® SK2® / KLOCKNER® essential®

High External Hexagon/Interna Ankylos

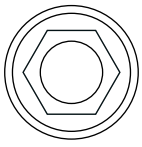
RP 4,2



○ SIS-1008



⬡ SIS-1009



# BIOMET 3i<sup>®</sup> OSSEOTITE

External Hexagon/Hexágono Externo

NP 3,25



○ SIS-0204



SIS-0204HC7



⬡ SIS-0205



SIS-0205HC7

RP 4,1



○ SIS-0112



SIS-0112HC7



⬡ SIS-0113



SIS-0113HC7

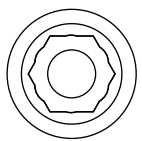
WP 5,0



○ SIS-0210WR



⬡ SIS-0610WA



# DENTIUM SUPERLINE™ & IMPLANTIUM<sup>®</sup>

Interna Conical/Cónica Interna

STD

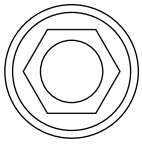


○ SIS-3012RR



⬡ SIS-3012RA





BTI®

External Hexagon/Hexágono Externo

NP 3,4



SIS-1208



H7

SIS-1208HC7



SIS-1209



H7

SIS-1209HC7

RP 4,1



SIS-0112



H7

SIS-0112HC7

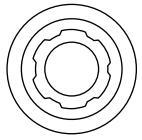


SIS-0113



H7

SIS-0113HC7



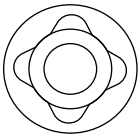
DENSTPLY® ANKYLOS®

Internal Ankylos/Interna Ankylos

C/X



SIS-2712NR



# BTI® Internal

Internal Tetra-lobe /Tetralobular Interno

NP 3,5



SIS-0706N

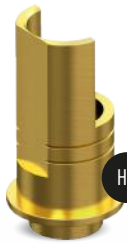


SIS-0707N

RP 4,1



SIS-0706



SIS-0706HC7



SIS-0707



SIS-0707HC7

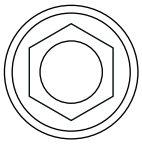
WP 5,5



SIS-0712WR



SIS-0712WA



## DENSTPLY® XIVE®

Internal Conical/Cónica Interna

3,4



○ SIS-2612NR



⬡ SIS-2612NA

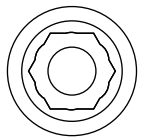
3,8



○ SIS-2612RR



⬡ SIS-2612RA



## DIO® UFII®

Interna Conical/Cónica Interna

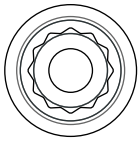
STD



○ SIS-2912RR



⬡ SIS-2912RA



# MIS<sup>®</sup> C1/V3

Internal Conical Hexagon/Hexágono Cónico Interno

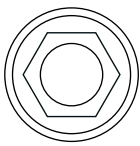
RP



○ SIS-1812RR



⬡ SIS-1812RA



# MIS<sup>®</sup> SEVEN<sup>®</sup>

Internal Hexagon/Hexágono Interno

NP 3,4



○ SIS-0312X



⬡ SIS-0313X

RP 4,1



○ SIS-0331



SIS-0331HC7



SIS-0331HG2



SIS-0331HG3



⬡ SIS-0332



SIS-0332HC7



SIS-0332HG2



SIS-0332HG3

WP 5,0



○ SIS-0312



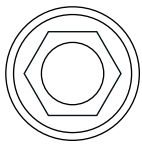
SIS-0312HC7



⬡ SIS-0313



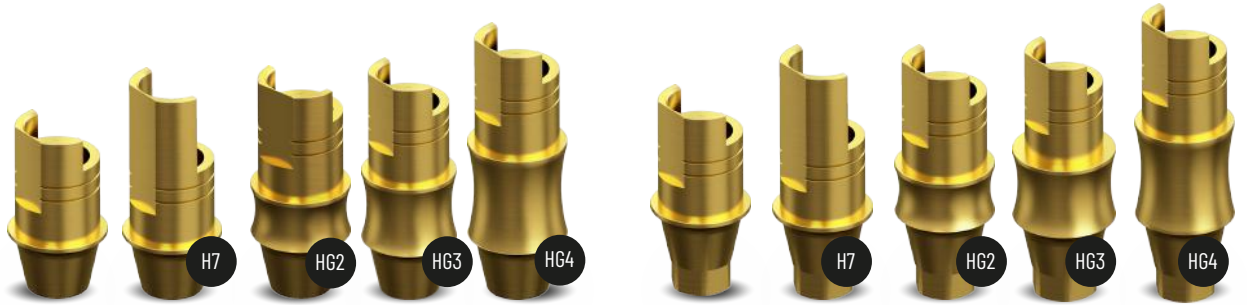
SIS-0313HC7



# NOBEL BIO CARE® NOBELACTIVE®

Internal Active/Interna Activa

NP 3,5



○ SIS-0950 SIS-0950HC7 SIS-0950HG2 SIS-0950HG3 SIS-0950HG4

⬡ SIS-0951 SIS-0951HC7 SIS-0951HG2 SIS-0951HG3 SIS-0951HG4

RP 4,3



○ SIS-0952 SIS-0952HC7 SIS-0952HG2 SIS-0952HG3 SIS-0952HG4

⬡ SIS-0953 SIS-0953HC7 SIS-0953HG2 SIS-0953HG3 SIS-0953HG4

## compatibility with CEREC

NP 3,5

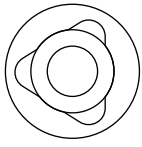


⬡ SIS-0912NAC SIS-0915C

RP 4,1



⬡ SIS-0912RAC SIS-0914C



# NOBEL BIOCARE® REPLACE SELECT®

Tri-lobe/Trilobular

NP 3,5



SIS-0831

SIS-0831HC7



SIS-0832

SIS-0832HC7

RP 4,1



SIS-0812

SIS-0812HC7



SIS-0813

SIS-0813HC7

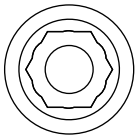
WP 5,5



SIS-0881



SIS-0882



# NEOBIOTECH® IS SYSTEM

Internal Conical/Cónica Interna

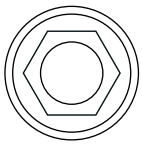
STD



SIS-2212RR



SIS-2212RA



## PHIBO<sup>®</sup> TSH<sup>®</sup>

External Hexagon/Hexágono Externo

NP 3,5



○ SIS-1512NR



⬡ SIS-1512NA

RP 4,0



○ SIS-0112



SIS-0112HC7



⬡ SIS-0113



SIS-0113HC7

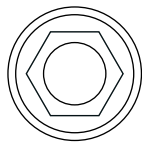
WP 5,1



○ SIS-1512WR



⬡ SIS-1512WA



## NEODENT GM<sup>®</sup> (Helix GM<sup>®</sup>, Drive GM<sup>®</sup>, Titamax GM<sup>®</sup>)

Internal Conical/Cónica Interna

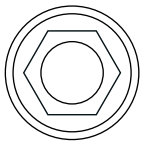
STD



○ SIS-2412RR



⬡ SIS-2412RA



# NOBEL BIOCARE® BRANEMARK®

## External Hexagon/Hexágono Externo

NP 3,5



SIS-0131

SIS-0131HC7



SIS-0132

SIS-0132HC7

RP 4,1



SIS-0112

SIS-0112HC7



SIS-0113

SIS-0113HC7

WP 5,1



SIS-0112WR



SIS-0112WR

compatibility with  
**CEREC**

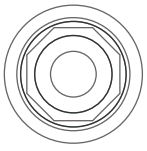
RP



SIS-0112RAC

SIS-0160C





# STRAUMANN® TISSUE LEVEL®

Octogonal/Octógono

RN 4,8



○ SIS-0610

SIS-0610HC7

SIS-0612RSR

⬡ SIS-0611

SIS-0611HC7

SIS-0612RSA

WP 6,5



○ SIS-0612WR

⬡ SIS-0612WA

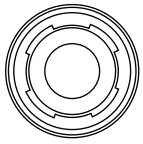
compatibility with  
**CEREC**

RN



⬡ SIS-0612RAC

⬡ SIS-0625C



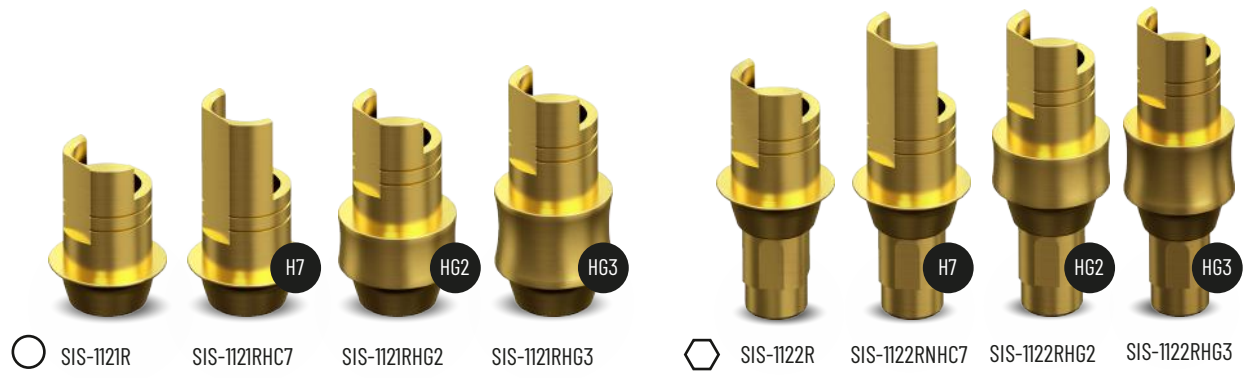
# STRAUMANN® BONE LEVEL®

Internal/Interna

NC 3,3

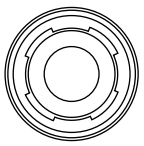


RC 4,1



compatibility with  
**CEREC**

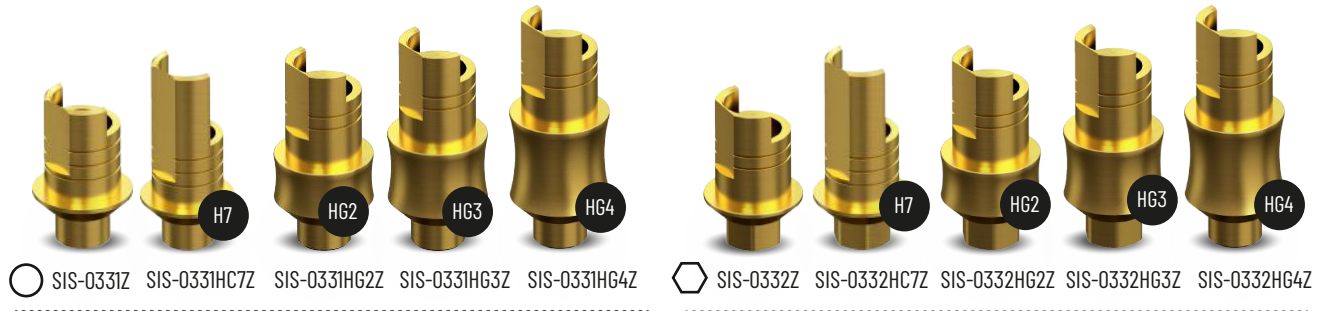




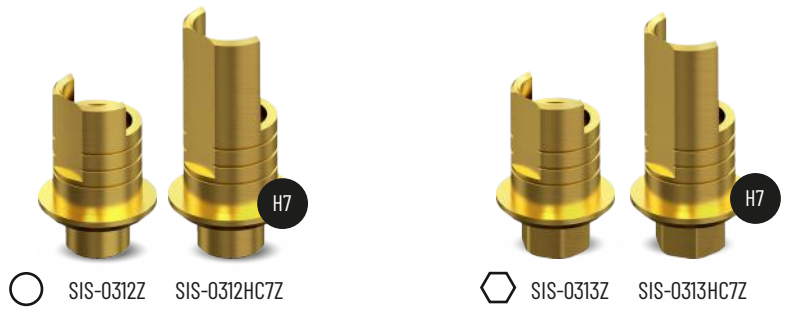
# ZIMMER® SCREW-VENT®

Internal Hexagon/Hexágono Interno

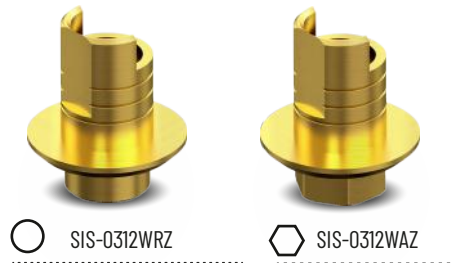
NP 3,5



RP 4,5



WP 5,1



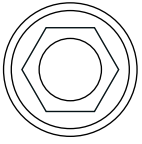
compatibility with  
**CEREC**

NP



RP





# SWEDEN & MARTINA® PREMIUM KOHNO®

Internal/Interna

3,3



○ SIS-1440X



⬡ SIS-1441X

3,8



○ SIS-1440



S1440HC7



⬡ SIS-1441



SIS-1441HC7

4,25



○ SIS-1442



SIS-1442HC7



⬡ SIS-1443



SIS-1443HC7

MU

## MULTI-UNIT

RP



○ SIS-1309



⬡ SIS-1312



[www.smartimplantsolutions.com](http://www.smartimplantsolutions.com)