

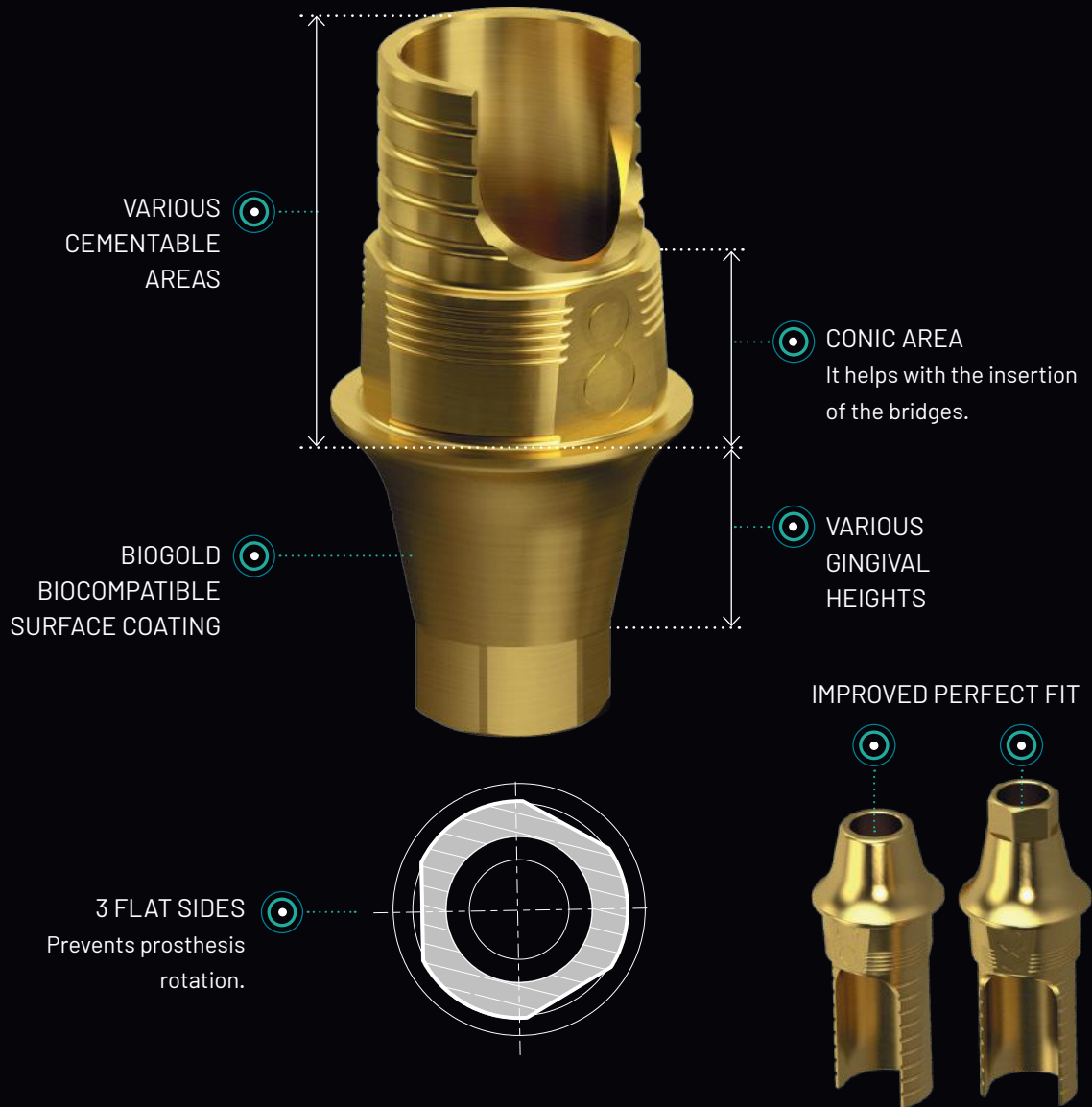
THINK DIGITAL

SMART Ti-BASE



Smart Implant Solutions

SMART Ti-BASE



exocad 3shape  dental wings

Libraries available at: www.smartimplantsolutions.com

SMART Ti-BASE

WITH GINGIVAL HEIGHT (HG)



VARIOUS
GINGIVAL
HEIGHTS

ENGAGING



CHIMNEY
HEIGHT
4.4mm.

NON-ENGAGING

SMART Ti-BASE

WITH GINGIVAL (HG) & CEMENTATION (HC) HEIGHT 7mm.



VARIOUS
GINGIVAL
HEIGHTS

ENGAGING

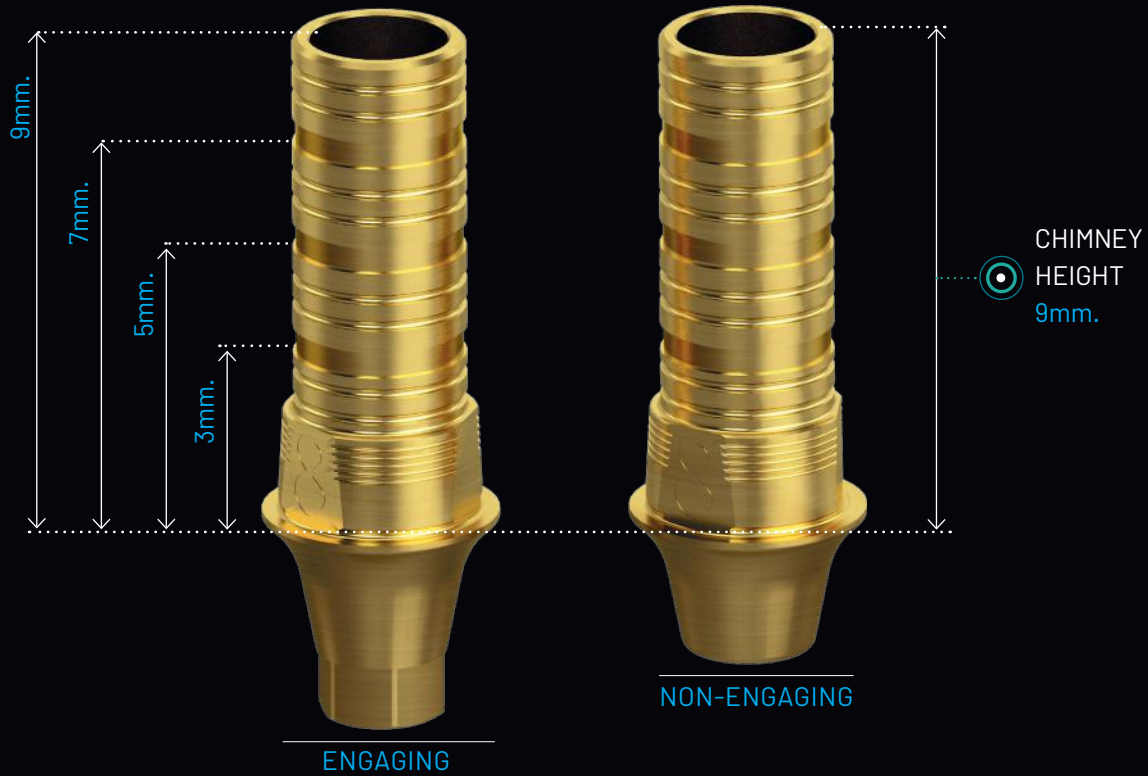
CHIMNEY
HEIGHT
7mm.



NON-ENGAGING

SMART Ti-BASE

CUTTABLE (9mm.)



Trim with a
disc for metal.

SMART ANGLE



THE MARKET'S SAFEST ANGLED SOLUTION

PATENTE INTERNAL BALL HEAD - ES 2577509 T3



IMPROVED CONNECTION: It prevents screw crowning.

BLUE ANODIZED: It allows to make a clear distinction between a standard screw and a Smart Angle screw.

MATERIAL: Grade 5 Titanium.

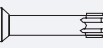
Both the Smart Implant Solutions Ti-Bases and the implant libraries are ready to use with the Smart Angle screws.



SHORT
(20mm)



MEDIUM
(25mm)

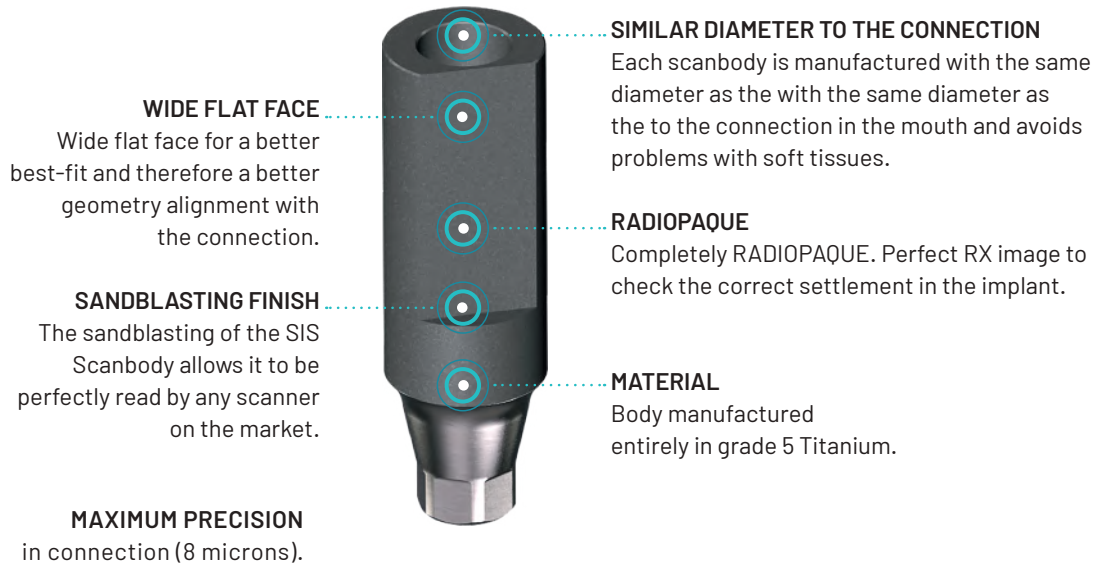


LONG
(35mm)

INTRA/EXTRA-ORAL SCANBODY

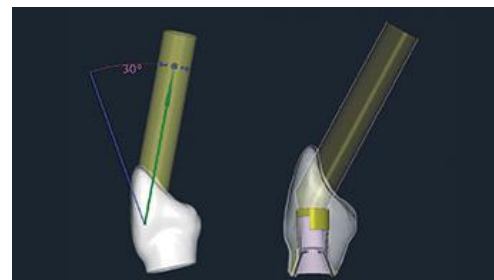
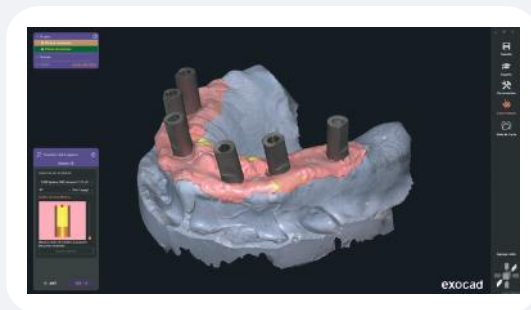
A SINGLE SCANBODY FOR ALL USES

The line of Scanbodies developed by Smart Implant Solutions R&D department greatly simplifies the way of working. It serves both for intraoral scanning (clinical) and for use in cast or resin models (laboratory).



THINK DIGITAL

SIMPLIFIES THE WAY OF WORKING



Free libraries available at: www.smartimplantsolutions.com



Smart Implant Solutions

Tel.: + 34 943 322 812

E-mail: sales@smartimplantsolutions.com

Headquarters:

Pº Mikeletegi 69, 20009 San Sebastián (Spain)

GENERAL CATALOG CONNECTIONS

NOBEL BIOCARE® BRANEMARK®
External Hexagon

NP 3.3

RP 3.75/4.0

WP 5.0

NOBEL BIOCARE® REPLACE SELECT®
Tetra-lobe

NP 3.5

RP 4.3

WP 5.0

NOBEL BIOCARE® NOBELACTIVE®
Internal Active

NP 3.5/3.75

RP 4.3/5.0

ZIMMER® SCREW-VENT®
Internal Hexagon

NP 3.5

RP 4.5

WP 5.7

BIOMET 3I® OSSEOTITE®
External Hexagon

NP 3.4

RP 4.1

WP 5.0

BIOMET 3I® CERTAIN®
Internal Hexagon "Click"

NP 3.4

RP 4.1

WP 5.0

MIS® SEVEN®
Internal Hexagon

NP 3.30

SP 3.75/4.20

WP 5.0/6.0

MIS® C1/V3
Internal Conical Hexagon

RP

ASTRA®TECH OSSEOSPEED®
Internal Conical

Yellow 3.0

Aqua 3.5/4.0

Lilac 4.5/5.0

ASTRA® TECH SYSTEM™ EVOLUTION®
Internal Conical

3.0

3.6

4.2

4.8

STRAUMANN® TISSUE LEVEL®
Octagonal

RN 4.8

WN 6.5

STRAUMANN® BONE LEVEL®
Internal

NC 3.3

RC 4.1/4.8

BTI® INTERNAL
Internal Tetra-lobe

NP 3.5

RP 4.1

WP 5.5

BTI® EXTERNAL HEXAGON
External Hexagon

NP 3.5

RP 4.1

GENERAL CATALOG CONNECTIONS

KLOCKNER® SK2® High External Hexagon		RP 4.2	
KLOCKNER® VEGA® Internal Hexagon	NV	RV	
SWEDEN & MARTINA® PREMIUM KOHNO® Internal	3.3	3.8	4.25
PHIBO® TSH® External Hexagon	NP 3.3	RP 4.0	WP 5.0
BIOHORIZONS® TAPERED® Internal Hexagon	3.0	3.5	4.5
NEOBIOTECH® IS SYSTEM Internal Conical		REGULAR	
NEODENT GM® (HELIX GM®, DRIVE GM®, TITAMAX GM®) Internal Conical		STD	
		STD	
	3.4	3.8	
		C (without Index)	
	MINI	REGULAR	
DIO® UFII® Internal Conical		REGULAR	
DENTIUM SUPERLINE™ & IMPLANTIUM® Internal Conical		STD	
BIOTECH DENTAL® KONTACT™		RP	
ANTHOGYR® AXIOM® BL®		RP	



THINK DIGITAL

www.smartimplantsolutions.com